



# Woodworking

with [Larry Eastman](#) Your Guide to One of Over [700 Sites](#)

Search for

[Home](#) · [Recent Articles](#) · [Visit Forums](#) · [Chat Live](#) · [Contact Guide](#) · [Free Newsletter](#)

## Subjects

[Adhesives/Glues](#)  
[Antique Tools](#)  
[Bandsaws](#)  
[Conversion Charts](#)  
[Education](#)  
[Finishes](#)  
[Free Catalogs](#)  
[Hand/Power Tools](#)  
[Kiln Drying](#)  
[Machinery](#)  
[Magazines](#)  
[Museums/Galleries](#)  
[Planers](#)  
[Plans Index](#)  
[Pneumatic Tools](#)  
[Safety/Supplies](#)  
[Sawmills](#)  
[Software](#)  
[Supplies](#)  
[Tablesaws](#)  
[Tips/Techniques](#)  
[Tole Painting](#)  
[TV Shows](#)  
[Unfinished Items](#)  
[Web Articles](#)  
[Web Rings](#)  
[Wooden Kits](#)  
[Wood/Components](#)  
[Woodworkers' Sites](#)  
[Hardware](#)

[Subject Library](#)

[All articles on this topic](#)

## Free Woodworking Plans

Whenever possible I locate free plans on the internet, and occasionally I draw some up that hopefully will be beneficial to you. On the following four pages you will find a list of both types of free plans.

We all would like to see more free plans available to us at a click of the mouse. There are many unique [plans available on the internet](#).

There are links to thousands of plans on this Woodworking site. More plans will be added on a regular basis. If you can't locate a plan at this time, please take advantage of this Woodworking.About.com's [Forum](#). Someone may see your posted question, and know exactly where you can find what your looking for, or perhaps you can help out another fellow woodworker, by answering a question they may have.

## Free Plans From the Internet A-C

### [Aldo Leopold Bench](#)

Wild Ones has a free bench plan that is made from 2" x 6", 2" x 8", and 2" x 10" material.

### [Aquarium Table](#) new

An article that describes how to make a table that can support a 3' long fish tank. The table also includes a shelf underneath. Material list measurements are in millimeters.

### [Artist's Easel](#)

Benjamin Grosser shows how to build a heavy duty easel with free drawings and instructions.

### [Baby Changing Table](#)

Amateur Woodworker has instructions, and a

## Related Sites

from About

[Architecture](#)  
[Basketry](#)  
[Decorative Arts](#)  
[Folk Art](#)  
[Forestry](#)  
[Home Repair](#)  
[Interior Decorating](#)  
[Landscaping](#)  
[Miniatures](#)  
[Model Railroading](#)

Also Recommended

[Apply to become a partner for this site.](#)

Magazine Offer

[Click Here](#)

Advertising

[HotJobs](#)

Onward! Upward!

[win millions!!](#)

Just three easy steps can make you a millionaire!

[PrizeCrazy.com](#)

win a Mercedes or \$50,000

[Grolier Books](#)

4 FREE gifts-all new from Scooby-Doo!

Stay up-to-date!  
Subscribe to our newsletter.

Want a free web site?  
It's easy with new **About  
SiteBuilder!**

**Get your site now**

Want to add search to your  
site?

Link to Sprinks - and earn  
money!

**Become an Affiliate**

Got a question?  
**Ask an Expert**

material list for building a Baby Changing Table,  
that can also be used as a chest of drawers.

### **Ball and Bat Rack**

HouseNet has a full-sized building diagram and  
instructions for a Ball and Bat Rack that is  
designed for two bats and three balls.

### **Barrister Bookcases**

Popular Woodworking magazine offers a free  
download construction drawing in PDF format  
of Barrister Bookcases.

### **Baseball Cap Rack**

Minwax® has this page that has free assembly  
diagrams, procedure information, tips, plus a  
tools, and materials list in order to make a  
Baseball Cap Rack.

### **Bathroom Vanity**

Popular Mechanics has a free project plan,  
materials list, plus instructions for a bathroom  
vanity that starts on this page.

### **Bedroom Organizer**

Minwax® has this page that has free assembly  
diagrams, procedure information, tips, plus a  
tools, and materials list in order to make a  
Bedroom Organizer.

### **Bedside Table**

Minwax® has this page that has free assembly  
diagrams, procedure information, tips, plus a  
tools, and materials list in order to make a  
Bedside Table.

### **Bench**

California Redwood Association has free plans  
and step-by-step instructions for building a  
Mendocino Bench.

### **Birdhouse 1** new

L & R Designs offers a free PDF download plan  
to build a traditional 9 1/2" high x 8 1/2" wide x  
10" deep birdhouse. All built from 1" x 6"  
material.

### **Birdhouse 2**

Johnathon Press Home and Workshop Online has  
a free plan and instructions for a family project  
for a birdhouse that kids could make.

### **The Bird Ornament Patterns**

WoodCraft Projects has free full scale patterns of  
various bird ornaments for a weekend wood/craft  
hobbyist. Painting instructions are included.

### **Blanket Chest 1**

August Home Publishing Co. has free plans and  
descriptions to build a Country Classic Blanket



#### **Marketplace**

- [make great gifts](#)
- [hot pc deals!](#)
- [online casino\\$](#)
- [\\$5 off used music](#)
- [\\$\\$ play lotto \\$\\$](#)
- [need a desktop?](#)
- [tech shopping](#)
- [make cash online](#)
- [get free stuff!](#)
- [oldsmobile](#)
- [gambling @ home](#)

Chest.

### **Blanket Chest 2**

Popular Mechanics has a free project plan, materials list, plus instructions for a blanket chest that starts on this page.

### **Bluebird House Plans**

Here's an article that describes how to build a bluebird house, complete with step by step instructions.

### **Booklet With Weekend Projects**

Minwax® will send you a free Easy Weekend Projects booklet just by simply filling out a request form.

### **Book/Magazine Stand**

Popular Woodworking Magazine offers free instructions, a material list, and a downloadable construction drawing for building a tall book/magazine stand.

### **Bread Box**

Amateur Woodworker offers a free plan and instructions for building a Bread Box. Tools required are a drill, sander, jigsaw, and router.

### **Build An Office Desk**

Popular Mechanics has a free project plan, materials list, plus instructions for a office desk that starts on this page.

### **Building An Inexpensive Wine Rack**

 from About.com

Your About Wine Guide Lisa Shea has very nice colored photos and free instructions for building a wine rack with plywood and PVC pipe.

### **Bungalow Mailbox**

Popular Woodworking magazine offers a free download construction drawing in PDF format of a Bungalow Mailbox.

### **Byrdcliffe Cabinet**

Popular Woodworking magazine offers a free download construction drawing in PDF format of a Byrdcliffe Cabinet.

### **A Cabinetmaker's Toolchest**

Ralph Brendler offers his free basic plans and a description of a toolchest.

### **CD Carousel** new

Freeplans.com™ offers a free detailed plan and instructions for building a CD Carousel that looks like it could hold somewhere around 96 CDs.

### **CD Holder**

Minwax® has this page that has free assembly diagrams, procedure information, tips, plus a tools, and materials list in order to make a CD Holder.

### **Chattahoochee Chair**

Wolmanized® offers this page with material list, and detailed plan.

### **Classic Winter Sled**

Drawings, instructions, material and hardware lists are included on this page to build a Classic Winter Sled that is just under four feet long, and it can be built with common tools.

### **Coffee Table**

Popular Mechanics offers free instructions and photos for building a knock down Coffee Table that looks similar to a trestle table.

### **Computer Desk**

Instructions and a cutting diagram for making a Computer Desk or Study Carrel from a single sheet of plywood.

### **Computer Desk, and More**

Black & Decker has free project instructions, and detailed plans on how-to build an Adirondack Chair, Computer Desk, Indoor Firewood Rack, and an Outdoor Wood Organizer.

### **Corner Cabinet**

Jeff Greef Woodworking supplies detailed instructions and photos for building a small wall mounted Corner Cabinet.

### **Corner Cupboard**

Popular Mechanics offers detailed two part plans, with details on how-to do the case construction, doors, and trim, plus a materials list.

## **Continue**

### **Free Plans From The Internet D-P**

Continue on to a list of more free plans from the internet.

### **Free Plans From The Internet Q-Z**

Continue on to a list of more free plans from the internet.

### **Free Plans From Your Woodworking Guide**

Continue on to another list of links to free plans, drawn up by your Woodworking Guide.

Visit the **Woodworking Forums** to browse as a

guest, or register for free and post.

**Bookmark**  
**[Woodworking.About.com](http://Woodworking.About.com)**  
**Thank You**



Subscribe to The Woodworking Newsletter

Name

Email

**[Just One Click!](#)**

Please take a moment and click here.  
It will help to keep Woodworking.About.com noticed.  
Thank you!

## **[Previous Features](#)**

**[Email this page!](#)**

### Sponsored Links

#### **[Find Books About Woodworking at Half.com](#)**

Free \$5 on your first purchase and Get up to 50-90% off everyday! Buy and Sell previously owned Books, CDs, DVDs, Movies and Video Games.

<http://www.half.com/> (Listing fee: \$0.28)

#### **[Eagle Creek Custom Etched](#)**

Laser engraved and sand carved personalized gifts and awards for animal lovers. Let us transfer your ranch brand, logo, or photo of your special animal onto a lasting "treasure".

<http://www.custom-etched.com/> (Listing fee: \$0.18)

#### **[NBAF: Magazine Subscriptions](#)**

Best price or we pay you! hundreds of popular magazine subscriptions on every topic and interest.

<http://nbaf.com/> (Listing fee: \$0.09)

#### **[NorthernTool](#)**

Visit NorthernTool and find power tools, air tools, hand tools, hydraulics, lawn and garden, hunting and handyman products.

<http://www.northerntool-1.com/> (Listing fee: \$0.08)

[StreetFairAmerica.com](http://www.streetfairamerica.com/)

Buy and sell crafts. Free! StreetFairAmerica is the marketplace for crafts, handmade products. Sellers register online. Free setup and no monthly fees. Buyers can browse over 600 handmade items.

<http://www.streetfairamerica.com/> (Listing fee: \$0.06)

[More...](#)

[Buy a Link Now!](#)

**ezboard 6.0**  **Get a FREE Custom Message Board**  
 **Talk about:**



**Explore More on the About Network!**

- |                                      |                                   |                                       |                                       |
|--------------------------------------|-----------------------------------|---------------------------------------|---------------------------------------|
| <a href="#">About Australia</a>      | <a href="#">Cultures</a>          | <a href="#">Internet/Online</a>       | <a href="#">Real Estate</a>           |
| <a href="#">About Canada</a>         | <a href="#">Education</a>         | <a href="#">Kids</a>                  | <a href="#">Religion/Spirituality</a> |
| <a href="#">About India</a>          | <a href="#">Food/Drink</a>        | <a href="#">Jobs/Careers</a>          | <a href="#">Science</a>               |
| <a href="#">About Ireland</a>        | <a href="#">Finance/Investing</a> | <a href="#">Money</a>                 | <a href="#">Shopping</a>              |
| <a href="#">About UK</a>             | <a href="#">Gadgets</a>           | <a href="#">Movies</a>                | <a href="#">Small Business</a>        |
| <a href="#">All About Japan</a>      | <a href="#">Games</a>             | <a href="#">Music/Performing Arts</a> | <a href="#">Sports</a>                |
| <a href="#">Arts/Literature</a>      | <a href="#">Health/Fitness</a>    | <a href="#">News/Issues</a>           | <a href="#">Style</a>                 |
| <a href="#">Autos</a>                | <a href="#">Hobbies</a>           | <a href="#">Parenting/Family</a>      | <a href="#">Teens</a>                 |
| <a href="#">Cities/Towns</a>         | <a href="#">Home/Garden</a>       | <a href="#">People/Relationships</a>  | <a href="#">Travel</a>                |
| <a href="#">Comedy</a>               | <a href="#">Homework Help</a>     | <a href="#">Pets</a>                  | <a href="#">TV/Radio</a>              |
| <a href="#">Computing/Technology</a> | <a href="#">Industry</a>          | <a href="#">Recreation/Outdoors</a>   |                                       |

[About Us](#) | [User Agreement](#) | [Privacy & Kids' Privacy Policy](#) | [Help](#)

Copyright © 2001 About.com, Inc. About and About.com are registered trademarks of About.com, Inc. The About logo is a trademark of About.com, Inc. All rights reserved.



## August Home Publishing Company

**Oops!** We've made some changes in our web page addresses.  
Looks like you've got a link to an "old" address.

Please find the page you're looking for by clicking on one of the links below. And then bookmark the new page. **Thanks.**



### Woodsmith

[Subscription Info](#)

### ShopNotes

[Cutting Diagrams](#)

[Subscription Info](#)

### WORKBENCH

[Cutting Diagrams](#)

[Subscription Info](#)

[WB Interactive](#)

### WoodNet

[Woodworking Forums](#)

[Weekly E-mail Tips](#)

[101+ Tips & Techniques](#)

[Tool Reviews](#)

[WoodworkingTips.com](#)

[WorkbenchPlans.com](#)

### GardenGate

[GardenGateTours.com](#)

[Weekly E-Tips](#)

[Basics](#)

[Design](#)

[Projects](#)

[Plants](#)

[Gardening Forums](#)

[Subscription Info](#)

### Cuisine<sup>at home.</sup>

[CuisineCam.com](#)

[Weekly E-Recipes](#)

[Cooking Forums](#)

[Recipes](#)

[Cooking Tips](#)

[Subscription Info](#)

## Our Ecommerce Stores





[August Home Tours](#)

[Woodsmith Tours](#)

[Garden Gate Tours](#)

[Cuisine Travel](#)

[Home](#) | [About August Home Publishing](#) | [Woodsmith Retail Store](#)  
[Job Opportunities](#) | [Advertise on this Site](#) | [Contact Us](#)

© August Home Publishing Company  
All Rights Reserved.





- Back to the Topic Site
- Turn off this top frame

- > [House](#)
- > [Get Crafty](#)
- > [Decorate](#)

- [Back to the Topic Site](#)
- [Turn off this top frame](#)



## Amateur Woodworker

# Baby Changing Table

Baby changing tables are a wonderful - yet expensive - addition to any nursery. With that in mind we set about building a baby changing table that would provide a strong combination of practicality and price. The resulting table has subsequently been "battle-tested" for the past month and has stood up to the demands of both mother and



Even better, when your baby (finally) outgrows the need for diapers, the changing table can be used as a children's chest of drawers. Note that the baby changing table does not have a rail around the top. Instead, it is designed to accommodate one of the standard curved foam changing pads.

## Construction

**Tools required:** router, drill, sander

**Wood required:** pine and plywood

Description	Qty	Width	Thickness	Length
<b>Front frame</b>				
Small verticals	2	2 1/4"	3/4"	32"
Long verticals	2	2 1/4"	3/4"	35 1/2"
Top/Middle long horizontals	3	2 1/4"	3/4"	30 1/2"
Base plank	1	2 1/4"	3/4"	47"

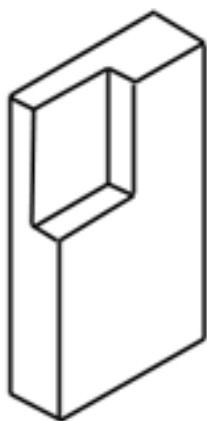
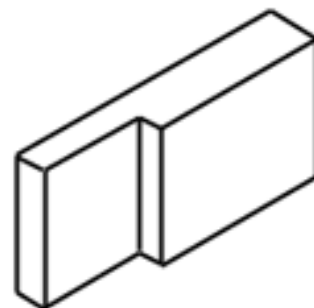
- [Home](#)
- [Archive](#)
- [Finishes](#)
- [Joints](#)
- [Tool Glossary](#)
- [Wood Types](#)
- [Games](#)
- [About AW](#)
- [Contact AW](#)

Top/Middle short horizontals	2	2 1/4"	3/4"	14"
<b>Rear Frame</b>				
Small verticals	2	2 1/4"	3/4"	32"
Long verticals	2	2 1/4"	3/4"	35 1/2"
Top long horizontals	1	2 1/4"	3/4"	30 1/2"
Base plank	1	2 1/4"	3/4"	47"
Top short horizontal	1	2 1/4"	3/4"	14"
<b>Side panel (small)</b>				
Verticals	2	2 1/4"	3/4"	32"
Top/bottom	2	2 1/4"	3/4"	16 1/2"
<b>Side panel (large)</b>				
Verticals	2	2 1/4"	3/4"	35 1/2"
Top/bottom	2	2 1/4"	3/4"	16 1/2"
<b>Middle panel (plywood)</b>				
	1	16 1/2"	1/2"	4"
<b>Tops</b>				
Large (plywood)	1	19 1/2"	1/2"	34 1/4"
Small (plywood)	1	19 1/2"	1/2"	18 1/2"
Edging (large top)	1	3/4"	1/8"	55"
Edging (small top)	1	3/4"	1/8"	60"
Molding (large top)	1	3/4"	3/4"	55"
Molding (small top)	1	3/4"	3/4"	60"
<b>Base board</b>				
Front	1	3"	3/4"	51"
Side	2	3"	3/4"	19"
<b>Large drawers</b>				
Sides	6	5 1/2"	3/4"	16 1/2"
Inner Front/back	6	5 1/2"	3/4"	26"
Front	3	9"	3/4"	30 1/2"
Knobs	6			

<b>Narrow drawers</b>				
Sides	4	10"	3/4"	16 1/2"
Inner Front/back	4	10"	3/4"	9 3/4"
Front	2	14"	3/4"	16 1/2"
Knobs	2			
<b>Back panels</b>				
Large (hardboard/plywood)	1	32"	1/8"	32"
Small (hardboard/plywood)	1	16"	1/8"	35 1/2"

### 1. Prepare front frame pieces (left side)

Firstly, cut lap joints that are 1 1/2" in from each end into the two top pieces (long and short), the middle drawer pieces (two long, one short) and the base plank. Next, cut a slot out of the base plank 13" from the right and 29 1/2" from the left (hence, 4 1/2" wide). Note that when deciding which end is the right and left of this plank, lie the plank flat on the ground with the cut out lap joint part facing upwards (see diagram).



- 29 3/4" to top

Now that all of the horizontal pieces are prepared, we need to prepare the vertical planks. Firstly, take one of the two shorter vertical pieces and nominate it as the left vertical. Cut out grooves that are 3/8" deep and 1 1/2" in (matching the cut on the horizontal pieces) at the following positions from the bottom:

- Bottom to 2 1/4" high
- 10 3/4" to 13"
- 20 1/2" to 22 3/4"

Next, take the second small vertical and nominate it as the middle-right vertical. Make a mirror image of the above grooves in this piece, so that the horizontal planks will slot in. The one difference is that the base to 2 1/4" high cut should be made as a lap joint (i.e. all the way across the wood, rather than just 1 1/2" in) in order to slot into the middle groove cut out of the base plank.

## 2. Prepare front frame pieces (left side)

Now take one of the two longer vertical planks and nominate it as the right vertical. Cut out grooves that are  $\frac{3}{8}$ " deep and  $1\frac{1}{2}$ " in (matching the cut on the horizontal pieces) at the following positions from the bottom:

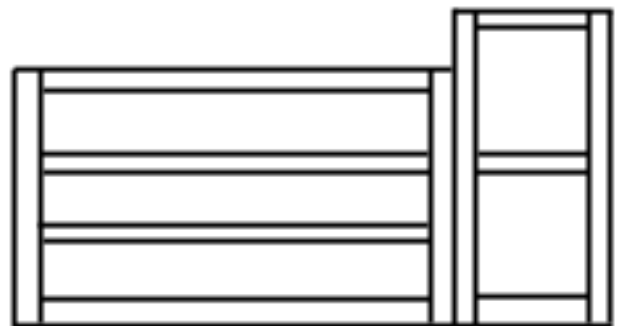
- Bottom to  $2\frac{1}{4}$ " high
- $17\frac{1}{2}$ " to  $19\frac{3}{4}$ "
- $33\frac{1}{4}$ " to top

Next, take the second long vertical and nominate it as the middle-left vertical. Make a mirror image of the above grooves in this piece, so that the horizontal planks will slot in. The one difference is that the base-to- $2\frac{1}{4}$ " high cut should be made as a lap joint (i.e. all the way across the wood, rather than just  $1\frac{1}{2}$ " in) in order to slot into the middle groove cut out of the base plank.

Finally, take the middle-right and taller middle-left planks and glue them together, side by side. To make this joint use either dowel joints or biscuits. The result should be a double width piece that has one side taller than the other. Note that when looking at this piece from the front, it should look like one solid piece - the grooves should be in the back, not the front.

## 3. Glue front frame together

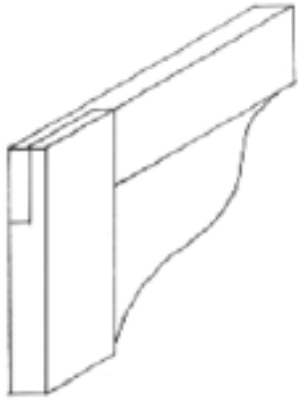
Once the middle, double plank has dried, it is time to connect the rest of the front together. Glue and screw the pieces together, ensuring that the finished frame is square. To help build a solid frame, clamp overnight to ensure a strong bond.



## 4. Prepare back frame

The back frame is relatively simple to construct as it consists only of an outer frame. Repeat step 2, but omit the horizontal planks that define the drawer spaces (but include the inner-left and inner-right vertical planks that are glued together as on the front). One prepared, glue the pieces together (as with the front). Again, ensure that the frame is square.

## 5. Build left (small) side panel



Take the two vertical side pieces and cut lap joints into them, and matching lap joints in the two small horizontal pieces. By so doing, the four pieces should fit together into a rectangular frame (see diagram). Next, rout out a groove on the inner, back edge of all four pieces. This groove should cut in 1/2" and be 1/2" deep. By making this groove all the way around the inside edge, the plywood sheet that forms the side panel can rest in place. Once routed, glue and screw the four side planks together - making sure the joints are square - and then glue the plywood panel into place

in the center (which will help strengthen the unit).

### **6. Build right (larger) side frame**

Repeat step 5 for the right hand panel. Remember that this panel is larger due to the fact that the right side of the front frame is also taller.

### **7. Build main frame**

Now that the two sides, front and back have been built, it is time to put them together. Sandwich the left hand side panel between the front and back panels and screw the three pieces together by driving screws through the front frame into the side as well as from the back frame into the side panel. Then attach the right hand panel to complete the frame. Make sure that the completed frame is square.

### **8. Add middle panel**

Next, add the small middle panel, gluing and screwing it into place. This panel should fill the small void at the point where the front/back steps up from the lower height to the taller level. At this time you should also add a small strengthening bar to the bottom middle of the frame, running from front to back. To add it, glue and screw into place from the front and back.

### **9. Add tops**

The final strengthening trick is adding to table tops. First add the larger, lower top. This should overhang the front and left hand side by 1", over-hanging the back by 1/2". To attach this top, glue and nail - or screw - down into the frame.

Add the smaller top to the higher part of the table next. Again, the overhang should be 1" to the front and both sides.

## 10. Add edging strip and molding to top

Add the edging strip to front and sides of both tops. Use glue and small finishing nails to hold the strip into place against the plywood edge of the table top. Next, add the small molding to the meeting point between the top and the main frame, thus making the two look more like one unit.

## 11. Make base panel and attach to base.



To finish off the main unit we need to add a base board that will serve as feet. This is one solid plank that runs the entire length of the unit. Route a curve out of the top side to round it off (see diagram). Add to front and sides - using a mitered cut at each end - using screws and glue. The board should overlap 1" with the frame, providing adequate bonding space.

## 12. Make drawers

Take the two side pieces, the back and the inner front piece. Cut a groove in each one that is 1/4" from the bottom of each piece and is 1/4" wide. This groove will allow the base to slot into the drawer frame. Once you have cut the groove, glue and screw the sides to the back piece, slot the base into the groove and then glue and screw the inner front board. Make sure that the unit is square. The result is a box without a lid.

Attach a 16" drawer runner mechanism to each side of the drawer, and to the corresponding "hole" in the main unit of the chest. Ensure that all drawer mechanisms are attached at the same height, so that the drawers are interchangeable in the unit. To attach the runners to the main frame, you may need to add a strip of wood to the rear verticals.

Finally, you need to add the front of the drawer to the box unit. However, before doing this, you need to shape the front of the drawer. The edge of this should be rounded using the same router bit as you used for the edging around the bottom of the main unit. Once you have routed all four sides of the drawer front, attach it to the drawer unit by gluing and screwing from the inside of the drawer outwards.

## 13. Finishing

Finally, nail the two back panel pieces on to the back of the unit and sand the entire unit thoroughly and paint.

[Go to Top](#)



## Joints

This section describes in detail all of the joints used in current and past projects. As projects require new methods of joining wood, this section will be expanded. If anyone has any suggestions for this section, please feel free to [email](#) them in. Any suitable contributions will be added to this section, with a credit to the original author.

[Home](#)[Archive](#)[Finishes](#)[Joints](#)[Tool Glossary](#)[Wood Types](#)[Games](#)[About AW](#)[Contact AW](#)[Dowel Joints](#)[Slotted Tenon Joints](#)[Routed Dovetail Joints](#)[Handmade Dovetail Joints](#)[Tenon and Mortise Joints](#)

**About**  
Featured Link

- Back to the Topic Site
- Turn off this top frame



**SUBSCRIBE NOW**

# HOME

## Today's News

Updated every 20 minutes:

[Click Here](#)



[PM HOME PAGE](#)

[AUTOMOTIVE](#)

[TECHNOLOGY](#)

[HOME JOURNAL](#)

[SCIENCE](#)

[OUTDOORS](#)

[SEARCH](#)

[WHAT'S HOT](#)

[CURRENT ISSUE](#)

[EMAIL](#)

[ADVERTISE](#)

### Special Offer!

Get your **FREE** gift!



**CLICK HERE!**  
for details

**GET IT NOW!**  
click here!



### Smooth Transition



The Dryerbox is a small idea, but a good one. Very good, in fact. It's made of 22-gauge aluminized steel, drawn deep into a pan shape. It's sized to fit between wall studs, and it provides a nice clean cavity that receives the exhaust from a dryer. The device makes for a neater installation, a smoother transition from the hose to the back of the dryer, and it allows the dryer to be positioned without fear of kinking the exhaust hose. It's about time somebody came up with a piece of hardware to solve all these problems.

[CLICK FOR MORE >](#)

[click here for](#)  
**THE LATEST NEWS**  
From the PM Zone

Editor: Steve Willson  
Online Editor: Roy Berendsohn

## SPECIALS



Tune in for team **coverage** of our annual Editor's Choice Awards and every square inch of show floor.



From walk-behind **mowers** to heavy-duty tillers and snowthrowers, you'll find it here. [Pull start.](#)



## **Woodworking**

- [Gentle Art Of Whittling Comes Back](#)
- [Create This Mahogany Writing Table](#)
- [How To Build PM's Easy Workbench](#)
- [Shop Project: Cedar Privacy Screen](#)
- [Build Your Own Boat From PM Plans](#)

## **Gardening**

- [5 New Yardcare Machines By Sears](#)
- [Book: 'Classic John Deere Tractors'](#)
- [Long-Term Test: Deere X585 Tractor](#)
- [We Test A ProMow 501 Gang Mower](#)
- [PM.Zone Summer Lawncare Section](#)

## **Great Stuff**

- [The Best Products For Your Home](#)

## **Home Improvement**

- [Neaten Dryer Installation w/Dryerbox](#)
- [Research For Clopay Garage Doors](#)
- [Nat'l Hardware Show Wrapup Report](#)
- [Nat'l Hardware Show Editor's Choice](#)
- [19 Best Of The Inter'l Builders' Show](#)

## **Homeowners Clinic**

- [Aug. Lead: Fixing A Busted Sprinkler](#)
- [July Lead: To Get Rid Of House Mold](#)
- [June Lead: Condensation Drain Fix](#)
- [May Lead: Unequal-Pitch Roof Vents](#)
- [Mar. Lead: Water Pressure Too Low](#)

## **It Worked For Me**

- [Reader Tips And Hints June Column](#)
- [Reader Tips And Hints: May Column](#)
- [Reader Tips And Hints: April Column](#)
- [Reader Tips And Hints: Mar. Column](#)
- [Reader Tips And Hints: Feb. Column](#)

## **Opinion**

- [Our 2 Cents On A Variety Of Subjects](#)

## **Smart Consumer**

- [Unique Oxo Angled Measuring Cup](#)
- [Thompson's Deck Spruce-Up Guide](#)
- [7 High-Featured Kitchen Appliances](#)
- [Fluorescent Bulbs Vs. Incandescent](#)
- [Loctite's Super Glue Gels And Liquid](#)

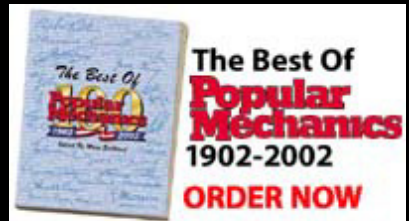
## **Tools**

- [Magnetic-Backed SilverBack Gloves](#)
- [Leatherman 20th Anniversary Wave](#)
- [A Milwaukee Heavy-Duty Sabre Saw](#)
- [Vaughan & Bushnell Mini-Bear Saws](#)
- [Sears's 2003-04 Craftsman Catalog](#)

## **Workshop**

- [Miller Electric Welding Equip. Advice](#)
- [Better Ryobi BT3100 Benchtop Saw](#)
- [Comparo: Six Stationary Scroll Saws](#)
- [A Steelman Portable Welding Bench](#)
- [Basics Of Home-Shop Metalworking](#)

**This is your one-stop depot** for more than 1000 portable and stationary products from more than 2 dozen manufacturers. You can search and sort by category, manufacturer, price range and model number. Here's the [power button](#).



**NEW LOWER PRICE**

And here's a **Free Poster Offer.**



**Have any good tips, quick fixes or tricks of the trade that you'd like to share?** Send them to: It Worked For Me, c/o POPULAR MECHANICS, 810 Seventh Ave., New York, NY 10019. Or e-mail us at [pmtips@hearst.com](mailto:pmtips@hearst.com).



**If you're planning to buy** your first new home--or the first one in a long time--here's how to get your bearings before heading out the door. And just [look at all the closet space](#).





SUBSCRIBE NOW

# HOME

click here for THE LATEST NEWS From the PM Zone

## Homeowners Clinic

# Monthly Reader Q & A Column

BY NORMAN BECKER, P.E.

[PRINTER FRIENDLY VERSION](#)

[1](#) [2](#) [3](#) [Next](#)

### Questions About Mold

I have heard many reports of mold in houses in the Houston area. What is mold and how can I prevent it from occurring in my house?

YOUNG NGUYEN  
ADDRESS WITHHELD

*Mold is the common name for simple plants or fungi that are usually microscopically small. There are many varieties--some estimates put the number at a minimum of 40,000. These plants thrive on cotton, wool, paper, leather and wood, and they will grow anywhere in the home where there is moisture. The moisture may be in the material itself or in the form of airborne vapor. A typical mold is the one found in the grouted tile joints of shower walls.*

*Most mold spores found in homes do not present a serious health problem. However, people who have mold allergies could experience symptoms such as nasal stuffiness, eye irritation and difficulty breathing.*

*In the mold-related incidents you are referring to, severe moisture problems in a number of houses led to a comparatively*



[CLICK TO ENLARGE](#)

Mold can grow anywhere in a house--in the attic, basement and crawlspaces, on interior and exterior surfaces, and in wall cavities. The best method to combat it is to keep surfaces and interior spaces dry. ILLUSTRATION BY GEORGE RETSECK

- [PM HOME PAGE](#)
- [AUTOMOTIVE](#)
- [TECHNOLOGY](#)
- [HOME JOURNAL](#)
- [SCIENCE](#)
- [OUTDOORS](#)
- [SEARCH](#)
- [WHAT'S HOT](#)
- [CURRENT ISSUE](#)
- [EMAIL](#)
- [ADVERTISE](#)

**Special Offer!**

Get your **FREE gift!**



[CLICK HERE!](#)  
for details

**GET IT NOW!**  
click here!

*rare mold condition--that is, a concentration of the mold species called Stachybotrys chartarum. The family living in one home suffered a number of severe health-related problems.*

*There isn't room here to present a complete discussion of mold, but the drawing above gives an overview of the parts of your house that require careful inspection and maintenance. Pay particular attention to the roof and to chimney flashing to be sure that neither is admitting water. Likewise, leaks around doors and windows can admit water as can cracks in a basement floor. Condensation on windows, leaking plumbing and moisture vapor from a crawlspace are other sources that can cause mold to form. The best way to control mold is to keep building surfaces and cavities as dry as possible.*

[1](#) [2](#) [3](#) [Next](#)

 RELATED ARTICLES

PRINTER FRIENDLY VERSION



SUBSCRIBE NOW

# HOME

click here for  
**THE LATEST NEWS**  
From the PM Zone

## Homeowners Clinic

# Monthly Reader Q & A Column

PRINTER FRIENDLY VERSION

[Previous](#) [1](#) [2](#) [3](#) [Next](#)

### Smoke Alarm Signal

My husband and I were awakened recently when all our hard-wired smoke detectors went off at once. We checked everything and found no problem. Do you have any idea what causes this?

AMANDA COLE  
VIA INTERNET

*A smoke alarm can be triggered by a buildup of dust, dirt or an insect building a nest inside it. To prevent this, gently vacuum a smoke alarm periodically, and change its battery once a year. When smoke alarms are hard-wired and one unit is activated, all the others will be activated. The fact that the alarms went off at the same time indicates that they are working properly.*


**Special Offer!**

Get your **FREE gift!**




**CLICK HERE!**  
for details

**GET IT NOW!**  
click here!

**Step-By-Step Range Repair Manual**

- For GE and Hotpoint ranges
- Easy to follow instructions
- Step-by-step photos
- Diagnostic charts
- Preventive maintenance



CLICK TO ENLARGE

### REVIEW: Appliance Repair Help

The most important tool is information, and when it comes to appliance repair, that may mean getting a service manual, such as the one shown here. Your best one-stop source for manuals, parts and information is RepairClinic.com. It carries a wide selection of current appliance repair manuals for General Electric and Whirlpool products, as well as some for Sears Kenmore. It's also

the best full-service appliance part source we know of. The company says that on any given day it has 90 percent of the parts requested, with 600,000 parts available through online ordering. And it has industry contacts to find stuff that is out-of-date. Simply put, before you give up, contact this company. Finally, if you need help with the repair itself, the company's technicians offer advice via e-mail. Contact RepairClinic.com, 47440 Michigan Ave., Suite 100, Canton, MI 48188; 800-269-2609. Or go to the company's Web site: [www.repairclinic.com](http://www.repairclinic.com).--  
*Roy Berendsohn*

[Previous](#) [1](#) [2](#) [3](#) [Next](#)

 RELATED ARTICLES

PRINTER FRIENDLY VERSION





SUBSCRIBE NOW

# HOME

click here for  
**THE LATEST NEWS**  
 From the PM Zone

Homeowners Clinic

## Monthly Reader Q & A Column

PRINTER FRIENDLY VERSION

[Previous](#) [1](#) [2](#) [3](#)

### Horizontal Water Heater

Can the average upright water heater be installed horizontally as a spacesaving measure?

BILL AKERMAN  
 VIA INTERNET

*No. An electric water heater is designed for upright installation. Even shipping one in a horizontal position can damage it. The heater's anode and the water inlet pipe are not supported. Placing the water heater horizontally can cause the pipe or the anode to flex against the tank's vitreous glass lining, damaging it.*

*Also, a horizontal installation would not be energy efficient. In an upright installation, the water inlet pipe terminates near the bottom of the tank. As the water is heated, it rises to the top of the tank where it is drawn off at the hot-water outlet. A horizontal installation would put the inlet and the outlet in the same plane and cause cold and hot water to be mixed.*

**Special Offer!**

Get your **FREE gift!**



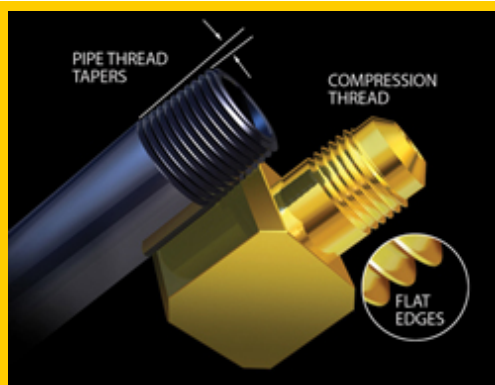
**CLICK HERE!**  
for details

**GET IT NOW!**  
click here!



## Do You Have A Home-Maintenance Or Repair Problem?

Just ask Norman about it. Send your questions to Homeowners Clinic, POPULAR MECHANICS, 810 Seventh Ave., New York, NY 10019. While letters cannot be answered individually, problems of general interest will be discussed in the column.



[CLICK TO ENLARGE](#)

### SERVICE TIP: MAINTENANCE

#### Gas Appliance Safety

Illustration by George Retseck

When you bring a new gas dryer or range home, or move a gas appliance to a new location, there are several things to be aware of so that the installation is troublefree and safe. First, the most important piece of advice is a general one, and that is to make the connection from the appliance to the gas supply using some form of flexible connector. This will allow movement of the appliance without the risk of breaking the seal on gastight connections, an obvious fire hazard.

Second, if you've never worked with pipe before, have a plumber or an appliance technician do the installation to be sure that it is gastight. If you have experience working with pipe, there are still several things to be mindful of :

1. When joining threaded fittings, be sure to make connections with compatible threads. Iron pipe thread is wedge-shaped and tapered. It will not make a gastight connection when joined to a flare-compression thread. For example, to make the connection to a dryer's black iron pipe nipple, you have to use a fitting that has a female iron pipe thread on one end and a compression thread on the other.
2. When working on black iron pipe, use

Teflon tape or pipe thread sealant that is certified for gas fittings. On flare-compression fittings, use thread sealant only. Be sure the sealant is rated for natural gas or propane, or both. Tape for working with gas fittings is yellow and is thicker than the white tape used for sealing water plumbing. Both the pipe thread sealant and the tape are clearly labeled as approved for gas connections.

3. In many cases, the entire job can be simplified with a dryer or range connection kit. This consists of a flexible connector, a variety of fittings, Teflon tape, leak-test solution, and instructions. These kits cost \$20 to \$25.

4. If you find that an existing gas appliance (in most cases, a range) is joined to the house's gas supply with a connector made from bare corrugated brass tubing, be sure to replace it. The Consumer Product Safety Commission (CPSC) has issued a warning that this kind of connector has tubing that separates from its fittings. Visit the CPSC Web site for more information at [www.cpsc.gov/cpsc/pub/pubs/gasconn.html](http://www.cpsc.gov/cpsc/pub/pubs/gasconn.html).

Finally, be sure not to overtighten flare-compression fittings. A snug fit is all that is required to provide a gastight seal. When you're done, leak test all connections using a solution of dish detergent and water, or use ready-made leak-test solution.--*R.B.*

[Previous](#) [1](#) [2](#) [3](#)

 RELATED ARTICLES

PRINTER FRIENDLY VERSION





SUBSCRIBE NOW

# HOME

click here for  
**THE LATEST NEWS**  
From the PM Zone

## Home Improvement

# Best Of The Builders' Show

19 new tools and building materials.

BY ROY BERENDSOHN

PRINTER FRIENDLY VERSION

1 [2](#) [3](#) [4](#) [5](#) [Next](#)

PM HOME PAGE

AUTOMOTIVE

TECHNOLOGY

HOME JOURNAL

SCIENCE

OUTDOORS

SEARCH

WHAT'S HOT

CURRENT ISSUE

EMAIL

ADVERTISE

**Special Offer!**

Get your **FREE gift!**



**CLICK HERE!**  
for details

**GET IT NOW!**  
click here!



[Click here](#) for our original online report from Las Vegas in January.

- [Steel-Cutting Circular Saw](#)
- [Internet Refrigerator](#)
- [Finish Nailer Kit](#)
- [Colonial Casement Window](#)
- [Cordless Planer](#)
- [Masonry Water Repellent](#)
- [Lighted Sabre Saw](#)
- [Adjustable-Height Sawhorse](#)
- [Indoor-Outdoor Fireplace](#)
- [Traditional-Looking Wood Window](#)

- [Water-Based Floor Enamel](#)
- [Cordless Impact Driver](#)
- [Solar Roof Vent](#)
- [Compact Water Softener](#)
- [Washer-Dryer Pair](#)
- [Double-Hung Window](#)
- [Cast-Iron Sinks](#)

There's nothing like the International Builders' Show. We attended the event recently in Las Vegas and looked over the offerings of 1300 manufacturers who brought 300 separate product categories to show. They spread it all out over 1.2 million sq. ft. of floor space. Although luxury products abound--from state-of-the-art stainless steel appliances to luxury spas--it's still at its heart a show for people who drive a pickup to an open space and build a place to live. That's what it's all about--tools, sawdust, concrete, fixtures, building wire, pipe and tubing. And sweat. Here's the best stuff from the show.

[1](#) [2](#) [3](#) [4](#) [5](#) [Next](#)

 RELATED ARTICLES

PRINTER FRIENDLY VERSION





# Woodworking

with [Lew Soloway](#)

Your Guide to one of [hundreds of sites](#)

This page sponsored by



[Home](#) · [Articles](#) · [Forums](#) · [Chat](#) · [Newsletters](#) · [Help](#)

## Subjects

## In The Spotlight

### ESSENTIALS

• [About Woodworking](#)

[Glossary](#)

• [A Beginner's Hand](#)

[Tools List](#)

• [How to Prepare](#)

[Lumber for Projects](#)

• [How to Choose](#)

[Sandpaper - Part 1](#)

• [How to Choose](#)

[Sandpaper - Part 2](#)

[Dust Collection](#)

[Events](#)

[Finishing](#)

[Furniture Styles](#)

[Glossaries](#)

[Hand Tools](#)

[Joinery](#)

[Lumber](#)

[Old Tools](#)

[Project Design](#)

[Project Plans](#)

[Power Tools](#)

[Product Reviews](#)

[Sharpening](#)

[Shop Safety](#)

[Training](#)

[Woodcarving](#)

[Woodturning](#)

[Sources-Finishing](#)

### [How to Choose the Right Sandpaper - Part 1](#)

This is Part 1 in a two-part series on the five things to consider when buying sandpaper for your woodworking and finishing projects. This part covers types of abrasives used in sandpaper and grit sizes. Part 2 addresses binders, backing material, and optional adherence materials.

[Read Archives](#) #

### [How to Choose the Right Sandpaper - Part 2](#)

This is Part 2 in a two-part series on the five things to consider when buying sandpaper for your woodworking and finishing projects. This part covers binders, backing material, and optional adherence materials. Part 1 addresses types of abrasives used in sandpaper and grit sizes.

[Read Archives](#) #

### [How to Prepare Lumber for Your Woodworking Projects](#)

Your guide takes you through the eight steps on how to prepare lumber for your next woodworking project. Whether you buy lumber rough or surfaced from the mill, the lumber yard, a home center, or a specialty wood store you have to prepare the lumber for use.

[Read Archives](#) #

### [Planning for Wood Expansion and Contraction](#)

Wood expands and shrinks. Your guide discusses why wood moves, provides a formula for calculating the movement, and points out where wood movement can be an important consideration in your project design.

[Read Archives](#) #

### [A Hand Tools List for the Beginner](#)

Every woodworker needs hand tools. Here's a list of tools for the

- [Sources-General](#)
- [Sources-Hand Tools](#)
- [Sources-Power Tool](#)
- [Sources-Sharpening](#)

[Subject Library](#)

[All articles on this topic](#)

woodworker just starting out. This list is by no means exhaustive - its only meant to be a guide. A future article will include an extended list for the more experienced woodworker.

[Read Archives](#) #

**[The Types of Files and Rasps Used in Woodworking](#)**

Your guide discusses the basic types of files and rasps used in woodworking. The difference between files and rasps is explained. Then the purpose of each type of file and rasp is discussed.

[Read Archives](#) #

**[Subscribe Now](#)**



[Display Latest Headlines](#) [XML](#) | [Read Archives](#)

powered by [Movable Type](#)

**[Email this page!](#)**

**Sponsored Links**

**[Epilog Laser Wood Engraving and Cutting Systems](#)**

Epilog Laser's are ideal for engraving and cutting woods, plastic, acrylic, trophies, plaques and photos. Systems start under \$15,000. Visit our website for more information and free samples.

<http://www.epiloglaser.com/> [Sponsored Link](#)

**[Woodworking Superstore - Rockler.com](#)**

Find everything you need for furniture building, cabinet making and more. Tools, hardware, plans, and woodworking supplies. Rockler Woodworking and Hardware, Since 1954!

<http://www.rockler.com/> [Sponsored Link](#)

**[Cumberland Woodcraft Decorative Woodwork](#)**

Cumberland Woodcraft offers an extensive line of decorative woodwork from corbels, brackets, carvings, appliques and molding to cabinetry and paneling for home decorating.

<http://www.cumberlandwoodcraft.com/> [Sponsored Link](#)

**[Discounted Decorative & Tole Painting Books](#)**

Buy your favorite Decorative & Tole Painting Books at 20% off. MyIdeaCenter has a large selection of books from various artists and publisher. Orders shipped priority mail for quick delivery to you.

<http://store.yahoo.com/> [Sponsored Link](#)

**[Enhance - Organize - Share Photos](#)**

Paint Shop Photo Album is your complete digital photography center, with everything from a one-click Quick Fix to powerful organizational features to VideoCD creation with photos and music.

<http://www.jasc.com/> [Sponsored Link](#)

**Stay up-to-date!**  
Subscribe to our newsletter.

**ResultsAbout  
New from  
About.com!**

Get Paid to Improve Search

**Find Results Now:**

- [Crafts](#)
- [Log Homes](#)
- [Cliff Notes](#)
- [Death](#)
- [Quotes](#)

**Advertising**

> [Free Credit Report](#)



[Buy a Link Now!](#)**FREE TRIAL ISSUE Of Crafts Magazine!**

Get your FREE trial issue of *Crafts Magazine* and receive 7 more issues for ONLY \$17.97 -- **that's a 54% savings!** We'll bill you later.

Fill out the form and get great ideas to help reveal your creative genius. Just complete the information below and click on submit. **Order now!**

**Trial Issue!**[Give a gift!](#)**ORDER NOW!**

Email:

First Name:

Last Name:

Address Line 1:

Address Line 2:

City:

State:

Zip:

Select a payment option:  Charge my credit card

Bill me later

Brought to you by **WHAT YOU NEED TO KNOW About**

**Explore More on the About Network!****Related Sites**

[Architecture](#)  
[Forestry](#)  
[Home Repair](#)  
[Interior Decorating](#)  
[Landscaping](#)

**Walk More**

Walking Guide  
 Wendy Bumgardner says it only takes 2,000 more steps a day to start losing weight.

**Quake Coming?**

Is it possible for people to predict earth quakes?  
 Geology Guide  
 Andrew Alden offers his insights.

**The Guru**

There are 23 million Sikhs in the world.  
 Alternative Religions Guide  
 Jennifer Emick has more.

**Search About**

[About Us](#) | [Advertise on This Site](#) | [User Agreement](#) | [Privacy Policy](#) | [Kids' Privacy Policy](#) | [Help](#)

Copyright © 2003 About, Inc. About and About.com are registered trademarks of About, Inc. The About logo is a trademark of About, Inc. All rights reserved.



# Landscaping

with [David Beaulieu](#)

Your Guide to one of [hundreds of sites](#)

[Home](#) · [Articles](#) · [Forums](#) · [Chat](#) · [Newsletters](#) · [Help](#)

## Subjects

### ESSENTIALS

- [Landscaping Glossary](#)
- [Landscape Solutions](#)
- [Landscaping 101](#)
- [Landscape Design for Beginners](#)
- [Landscaping FAQs](#)

### BUYER'S GUIDE

[Landscape Design](#)  
[Ornamental Trees](#)  
[Fall Foliage Trees](#)  
[Shrub Fall Colors](#)  
[Cheap Landscaping](#)  
[Easy Landscaping](#)  
[Landscape Plans](#)  
[Rock Gardens](#)  
[Patios, Walls](#)  
[Design for Birds](#)  
[Garden Pests](#)  
[Weed Control](#)  
[Bonsai, Japanese](#)  
[Shrubs, Bushes](#)  
[Decks and Arbors](#)  
[Links](#)

## In The Spotlight

### [An Inlay Design for Concrete Patio Floors](#)

Using concrete as a surface for patios is practical -- too practical, for some. To spice up bare concrete with home accents, incorporate inlay designs. This article details many concrete patio designs, including the planning required to implement such designs successfully for your new patio or landing.

[Thursday September 18, 2003](#) #

### **Wildflower Identification: Name That Wildflower!**

Landscaping enthusiasts and nature-lovers often

take great pride in being able to identify plants on



and around their landscapes. Here's your chance to test your knowledge! See if you know the wildflower pictured on your right. To verify that you've arrived at the correct answer, please read my follow-up in the [Landscaping Discussion Forum](#), where I've revealed the wildflower's name. This entry is the 4th in a series of wildflower identifications.

[Hedges, Fences](#)

[Compost and Mulch](#)

[Fruit Trees](#)

[Ground Cover Vines](#)

[Garden Accents](#)

[Houseplants](#)

[Pond, Water Garden](#)

[Software, Hire Pro](#)

[Soil, Fertilizer](#)

[Rose Bushes](#)

[Lawn Care](#)

[Year-round Color](#)

[Gift Ideas](#)

[Top Picks](#)

[Subject Library](#)

[All articles on this topic](#)

**Stay up-to-date!**

Subscribe to our newsletter.

**ResultsAbout**

New from About.com!

[Get Paid to Improve Search](#)

**Find Results Now:**

[Feng Shui](#)

[Rolling Stones](#)

[Atkins Diet](#)

[Elvis Presley](#)

[Log Homes](#)

Hint: The photo to your right has been used elsewhere on this Web site, in a story on poison ivy.

[Thursday September 18, 2003](#) #

**Mulch to Consider**

Mulch is mulch, isn't it? It's just something to spread around beneath plants, to suppress weeds, right? Wrong. There's much to consider when choosing between mulches for your landscaping and gardening needs. Learn about some of those considerations here.

[Wednesday September 17, 2003](#) #

**Garden Railroading: Mobile Landscape Design**

"Garden railroading is the art of combining a model railroad and a beautiful garden to create a railway-like atmosphere," says the Garden Railways Magazine Web site. Read the rest of their [Brief Overview of Garden Railways](#) to find out what it is that makes this fast-growing landscaping technique so popular.

[Wednesday September 17, 2003](#) #

**Top 10 Shrubs and Vines for Fall Foliage**

Trees don't hold a monopoly over providing attractive fall foliage. Shrubs and vines can be used to complement the fall foliage produced by the trees in your landscaping. Consider the choices presented here.

[Tuesday September 16, 2003](#) #

**Landscape Design Ideas: Building Berms**

Landscaping berms are mounds of dirt that are often erected to add visual interest to the landscape. This [article on building berms](#) from the Home and Garden Television Web site offers ideas on incorporating

## Did You Know?

Edgar Allan Poe, master of the macabre, was instrumental in the development both of the detective story and science fiction. But this eclectic genius also penned some compelling landscape design ideas ....

### [Edgar Allan Poe and Landscape Design](#)

berms into a Japanese-garden landscape design.

[Tuesday September 16, 2003 #](#)

### [Sumac Trees for Fall Foliage](#)

Sumac trees are sometimes despised as being little better than weeds. But fall foliage lovers know better! Sumac trees put on one of the landscape's showiest fall foliage displays. And as if its foliage weren't colorful enough in fall, it also bears an attractive red seed tuft throughout the autumn season. Eighth in a series of articles on fall foliage trees, all of which can be accessed from the [fall foliage index](#). In addition to their fall display, the sumacs have an interesting story to tell....

[Monday September 15, 2003 #](#)

### Advertising

> [Free Credit Report](#)

### **Online Resources for Landscape Design Ideas**

Are you looking for ideas to design that "master plan" for your landscape? This [landscape design link](#) provides online resources that will allow you to explore everything from conducting soil tests to planting according to plant hardiness zones.

[Monday September 15, 2003 #](#)

### **[Hurricane Preparedness: Readyng the Yard for Isabel](#)**

Hurricanes can bring costly damage to yards and homes. As we watch Isabel's progress, let's look at a checklist of 10 reminders for hurricane preparedness for the yard. The items on this hurricane preparedness checklist run the gamut in terms of ease of implementation. Most are just reminders to take simple precautions. But one involves a landscaping project of some difficulty for do-it-yourselfers. And another may require you to enlist the services of professionals.

[Sunday September 14, 2003 #](#)

## **Build a Bat House for Mosquito Control**

In this [Plant Man column](#) Steve Jones talks about attracting wildlife to the landscape. Not surprisingly, he touches on installing birdhouses. You may be a bit surprised to hear him speak of *butterfly houses*. But here's what may really catch you off guard: Steve talks about installing houses for *bats* to keep the mosquito population under control.

[Sunday September 14, 2003](#) #

[Display Latest Headlines](#) [XML](#) | [Read Archives](#)

powered by [Movable Type](#)

[Email this page!](#)

### **Sponsored Links**

#### **[Distinctive Wild Bird and Garden Wildlife Products](#)**

**GardenBirds.com specializes in distinctive bird houses, bird feeders, bird baths and other products for garden wildlife. We have a free shipping offer and your satisfaction is guaranteed.**

<http://www.GardenBirds.com/> [Sponsored Link](#)

#### **[InsideSun Discount Garden Supplies](#)**

InsideSun is your one-stop-shop for growing needs. Complete 400w HPS system only \$90. Huge discounts on MH too. Light systems and bulbs, hydroponics, nutrients, CO2, carbon scrubbers and more!

<http://www.insidesun.com/> [Sponsored Link](#)

#### **[Home Harvest Garden Supply](#)**

Fertilizers, compost, soil, discount seeds, greenhouses, nursery supplies, pest controls, pots, propagation, hydroponics, season extenders, grow lights and lots more at Home Harvest Garden Supply!

<http://homeharvest.com/> [Sponsored Link](#)

#### **[Keep Your Home Safe - ADT](#)**

Help protect your family and your home. Free security systems and free security reviews. Install a home security system from your local ADT

Authorized Dealer. Find out more.

<http://www.keeptoyourhomesafe.com> [Sponsored Link](#)

**[Home and Garden shopping at FurnitureFind.com!](#)**

Browse a large selection of home and garden furnishings. Find quality, name brand furniture, save 30-50% and get free delivery! Call us today to take advantage of our free personal shopper service.

<http://www.furniturefind.com/> [Sponsored Link](#)

**[Buy a Link Now!](#)**

## **Explore More on the About Network!**

<p><b>Related Sites</b></p> <p><a href="#">Architecture</a>  <a href="#">Birding/Wild Birds</a>  <a href="#">Gardening</a>  <a href="#">Home Repair</a></p>	<p><b><a href="#">Large Rats</a></b></p> <p>Exotic Pets Guide Lianne McLeod introduces you to the 30-inch long Gambian Giant Rat.</p>	<p><b><a href="#">Decision 2004</a></b></p> <p>With Wesley Clark officially in the race, U.S. Politics Guide Anne Linskey looks at all the candidates.</p>	<p><b><a href="#">Malcolm X</a></b></p> <p>African-American History Guide Jessica McElrath tells us about the life of Malcolm X.</p>	<p><b>Search About</b></p>
---	---	--	--	----------------------------

**[About Us](#) | [Advertise on This Site](#) | [User Agreement](#) | [Privacy Policy](#) | [Kids' Privacy Policy](#) | [Help](#)**

Copyright © [2003](#) About, Inc. About and About.com are registered trademarks of About, Inc. The About logo is a trademark of About, Inc. All rights reserved.





# Landscaping

with [David Beaulieu](#)

Your Guide to one of [hundreds of sites](#)

[Home](#) · [Articles](#) · [Forums](#) · [Chat](#) · [Newsletters](#) · [Help](#)

## Subjects

### ESSENTIALS

- [Landscaping Glossary](#)
- [Landscape Solutions](#)
- [Landscaping 101](#)
- [Landscape Design for Beginners](#)
- [Landscaping FAQs](#)

### BUYER'S GUIDE

[Landscape Design](#)  
[Ornamental Trees](#)  
[Fall Foliage Trees](#)  
[Shrub Fall Colors](#)  
[Cheap Landscaping](#)  
[Easy Landscaping](#)  
[Landscape Plans](#)  
[Rock Gardens](#)  
[Patios, Walls](#)  
[Design for Birds](#)  
[Garden Pests](#)  
[Weed Control](#)  
[Bonsai, Japanese](#)  
[Shrubs, Bushes](#)  
[Decks and Arbors](#)  
[Links](#)

## Landscape Design Ideas - Garden Photos

### Guide picks

Pictures and explanations of garden and landscape design ideas. Let these free ideas from landscapers inspire your new garden or landscape design. Landscaping can increase the real estate value of your property by 15%. Why not mine this free source for pictures and information to work home improvement wonders in your backyard?

### [Landscaping Pictures: A Landscape Design Photo Gallery](#)

Need some ideas for your landscaping? Browse through the pictures in this landscape design photo gallery. Analyses accompany the images. Some of the landscape design samples covered are arbors, fences, focal points, hillside landscaping, and making use of the concept of "line" to guide the viewer's eye to where you want it to go.

### [Free Landscape Design Plan That is Deer-Proof, Tick-Proof](#)

Free landscaping plan to promote beauty and health on your borders! Deer are garden pests, but deer ticks are worse than pests -- they're downright dangerous. To minimize infestation of these Lyme disease-bearers, follow a deer-resistant border design. This free landscape design plan is supplemented by pictures and descriptions of plants

[Hedges, Fences](#)

[Compost and Mulch](#)

[Fruit Trees](#)

[Ground Cover Vines](#)

[Garden Accents](#)

[Houseplants](#)

[Pond, Water Garden](#)

[Software, Hire Pro](#)

[Soil, Fertilizer](#)

[Rose Bushes](#)

[Lawn Care](#)

[Year-round Color](#)

[Gift Ideas](#)

[Top Picks](#)

[Subject Library](#)

[All articles on this topic](#)

**Stay up-to-date!**

Subscribe to our newsletter.

**ResultsAbout**

New from About.com!

[Get Paid to Improve Search](#)

**Find Results Now:**

[Feng Shui](#)

[Rolling Stones](#)

[Atkins Diet](#)

[Elvis Presley](#)

[Log Homes](#)

suitable for a deer-proof border.

## [Landscape Design Ideas for Selling Your Property](#)

When you're designing a landscape that will be going on the real estate market, you're designing for someone else's tastes -- the buyer's -- not your own. You need ideas about what buyers are currently looking for. You'll get those design ideas in this article, plus advice on exploiting other sources for design ideas.

## [Landscape Design Theory for Beginners](#)

Outdoor aesthetics 101. A practical introduction to the principles of landscape design architecture, as well as the basic elements upon which they are grounded. Starting point for backyard makeovers. Unity (harmony), colors, focalization, perspectives, textures, forms, massing, repetitions, balance, symmetry.

## [History of Landscape Design: Two Schools of Thought](#)

Learn about the historical development of the two major schools of landscape design: formal and informal. Do it yourselfers planning major outside home improvement projects will profit from clarifying their own stance on this debate.

## [What is Landscape Design?](#)

Definition of landscape design for the do it yourselfer. Hardscape and softscape themes discussed, both from practical and aesthetic standpoints. Garden types, lawn space and principles of design outlined. Practical considerations covered include hiring arborists and tailoring a landscape for the real estate market.

## [History of Landscape Design](#)



## **Advertising**

> [Free Credit Report](#)

A short history of landscape design, from your About.com Landscaping guide. From the Roman Pliny to the American Olmsted, see how landscape design has evolved. Learn what distinguishes "formal landscape design" from the informal, more "natural" style. This article is helpful for those laying the groundwork for a makeover of their own landscapes.

### **Edgar Allan Poe and Landscape Design**

Edgar Allan Poe, master of the macabre, was instrumental in the development both of the detective story and science fiction. But this eclectic genius also penned some compelling ideas on the subject of landscape design. Read about the landscape design at Arnheim, as well as the reason why its designer undertook the project.

### **Product Review: Landscaping Book by Better Homes and Gardens**

Your About.com Landscaping Guide's review of a design book by Better Homes and Gardens. "Home Landscaping: Plants, Projects, and Ideas for Your Yard" is a great gift idea for gardeners. Purchase a gift for them that will give them something to get through the winter months -- planning next year's landscape design. Smart consumer's choice for the money.

### **The Basic Principles of Landscape Design**

Part of a comprehensive Web site dedicated to landscape design, this article lays out the basics of designing a landscape. Learn about the landscape design concepts of unity, balance, color, transition, line, proportion and repetition.

1 [2](#) [Next](#)



[Email this page!](#)

**Sponsored Links**

**[Be the first Sponsored Links advertiser on this site...](#)**

Start driving targeted traffic to your site with Sprinks, About's Sponsored Links program.

<http://sprinks.about.com/>

[Buy a Link Now!](#)

**Explore More on the About Network!**

<p><b>Related Sites</b></p> <p><a href="#"><u>Architecture</u></a>  <a href="#"><u>Birding/Wild Birds</u></a>  <a href="#"><u>Gardening</u></a>  <a href="#"><u>Home Repair</u></a></p>	<p><b><u>Large Rats</u></b></p> <p>Exotic Pets Guide Lianne McLeod introduces you to the 30-inch long Gambian Giant Rat.</p>	<p><b><u>Decision 2004</u></b></p> <p>With Wesley Clark officially in the race, U.S. Politics Guide Anne Linskey looks at all the candidates.</p>	<p><b><u>Malcolm X</u></b></p> <p>African-American History Guide Jessica McElrath tells us about the life of Malcolm X.</p>	<p><b>Search About</b></p>
---	--	---	---	----------------------------

[About Us](#) | [Advertise on This Site](#) | [User Agreement](#) | [Privacy Policy](#) | [Kids' Privacy Policy](#) | [Help](#)

Copyright © 2003 About, Inc. About and About.com are registered trademarks of About, Inc. The About logo is a trademark of About, Inc. All rights reserved.



# Landscaping

with [David Beaulieu](#)

Your Guide to one of [hundreds of sites](#)

[Home](#) · [Articles](#) · [Forums](#) · [Chat](#) · [Newsletters](#) · [Help](#)

## Subjects

### ESSENTIALS

- [Landscaping Glossary](#)
- [Landscape Solutions](#)
- [Landscaping 101](#)
- [Landscape Design for Beginners](#)
- [Landscaping FAQs](#)

### BUYER'S GUIDE

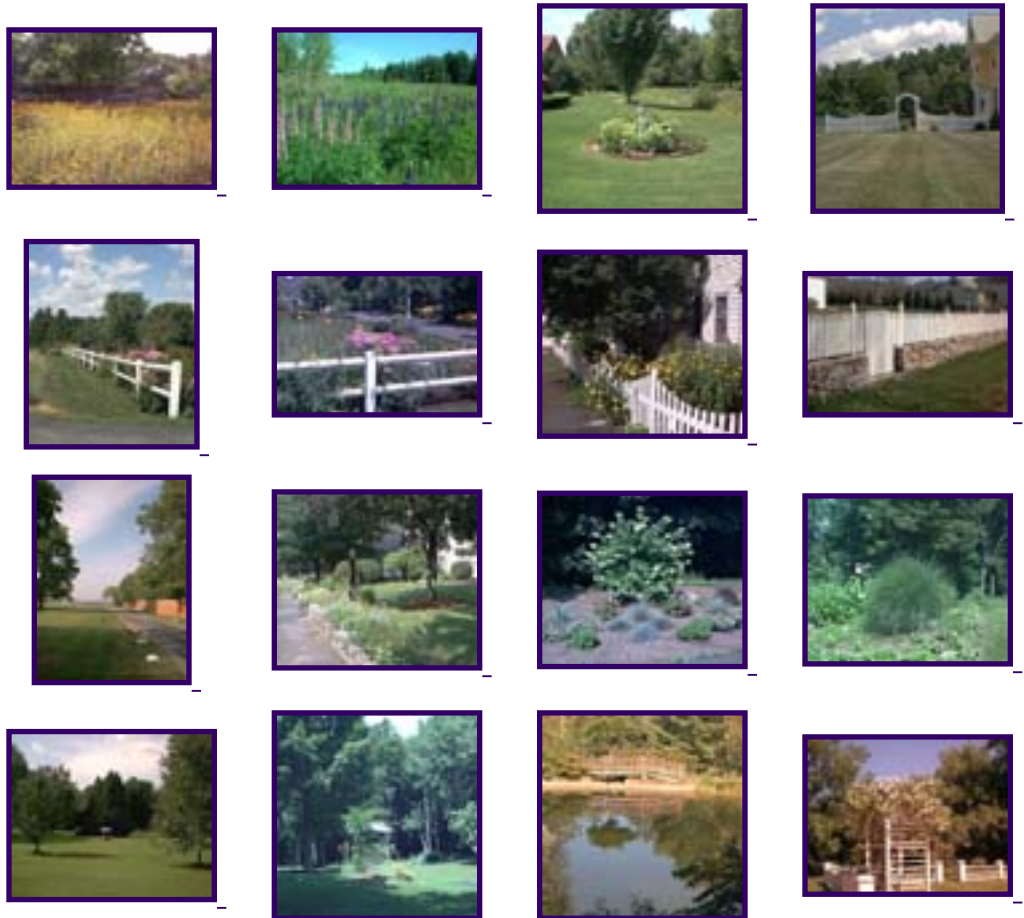
- [Landscape Design](#)
- [Ornamental Trees](#)
- [Fall Foliage Trees](#)
- [Shrub Fall Colors](#)
- [Cheap Landscaping](#)
- [Easy Landscaping](#)
- [Landscape Plans](#)
- [Rock Gardens](#)
- [Patios, Walls](#)
- [Design for Birds](#)
- [Garden Pests](#)
- [Weed Control](#)
- [Bonsai, Japanese](#)
- [Shrubs, Bushes](#)
- [Decks and Arbors](#)
- [Links](#)

## Landscaping Pictures: Photo Gallery

### Photos of Landscape Design Ideas

A picture is worth a thousand words. Sometimes you can get ideas for landscaping projects by looking at other people's landscape designs. Let the landscaping pictures in this photo gallery inspire you in your DIY landscaping projects!

Click on any of the thumbnails in the photo gallery below to view the full-size version of the image.



[Hedges, Fences](#)

[Compost and Mulch](#)

[Fruit Trees](#)

[Ground Cover Vines](#)

[Garden Accents](#)

[Houseplants](#)

[Pond, Water Garden](#)

[Software, Hire Pro](#)

[Soil, Fertilizer](#)

[Rose Bushes](#)

[Lawn Care](#)

[Year-round Color](#)

[Gift Ideas](#)

[Top Picks](#)

[Subject Library](#)

[All articles on this topic](#)

**Stay up-to-date!**  
Subscribe to our newsletter.

**ResultsAbout**

**New from About.com!**

[Get Paid to Improve Search](#)

**Find Results Now:**

[Feng Shui](#)

[Rolling Stones](#)

[Atkins Diet](#)

[Elvis Presley](#)

[Log Homes](#)

-- David Beaulieu

[Previous Articles](#)

**[Email this page!](#)**

### Sponsored Links

#### [Distinctive Wild Bird and Garden Wildlife Products](#)

GardenBirds.com specializes in distinctive bird houses, bird feeders, bird baths and other products for garden wildlife. We have a free shipping offer and your satisfaction is guaranteed.

<http://www.GardenBirds.com/> [Sponsored Link](#)

#### [InsideSun Discount Garden Supplies](#)

InsideSun is your one-stop-shop for growing needs. Complete 400w HPS system only \$90. Huge discounts on MH too. Light systems and bulbs, hydroponics, nutrients, CO2, carbon scrubbers and more!

<http://www.insidesun.com/> [Sponsored Link](#)

#### [Home Harvest Garden Supply](#)

Fertilizers, compost, soil, discount seeds, greenhouses, nursery supplies, pest controls, pots, propagation, hydroponics, season extenders, grow lights and lots more at Home Harvest Garden Supply!

<http://homeharvest.com/> [Sponsored Link](#)

#### [Keep Your Home Safe - ADT](#)

Help protect your family and your home. Free security systems and free security reviews. Install a home security system from your local ADT Authorized Dealer. Find out more.

<http://www.Keepyourhomesafe.com> [Sponsored Link](#)

#### [Home and Garden shopping at FurnitureFind.com!](#)

Browse a large selection of home and garden furnishings. Find quality, name brand furniture, save 30-50% and get free delivery! Call us today to take advantage of our free personal shopper service.

<http://www.furniturefind.com/> [Sponsored Link](#)

**[Buy a Link Now!](#)**

**Advertising**

> [Free Credit Report](#)

## Explore More on the About Network!

<b>Related Sites</b> <a href="#">Architecture</a> <a href="#">Birding/Wild Birds</a> <a href="#">Gardening</a> <a href="#">Home Repair</a>	<b>Large Rats</b> Exotic Pets Guide Lianne McLeod introduces you to the 30- inch long Gambian Giant Rat.	<b>Decision 2004</b> With Wesley Clark officially in the race, U.S. Politics Guide Anne Linskey looks at all the candidates.	<b>Malcolm X</b> African- American History Guide Jessica McElrath tells us about the life of Malcolm X.	<b>Search About</b>
--	--	--	--	---------------------

[About Us](#) | [Advertise on This Site](#) | [User Agreement](#) | [Privacy Policy](#) | [Kids' Privacy Policy](#) | [Help](#)

Copyright © 2003 About, Inc. About and About.com are registered trademarks of About, Inc. The About logo is a trademark of About, Inc. All rights reserved.